

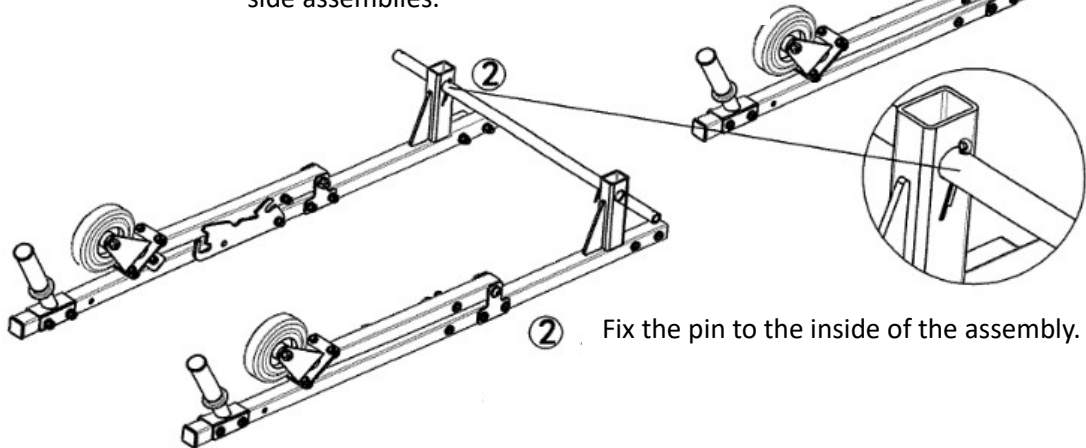
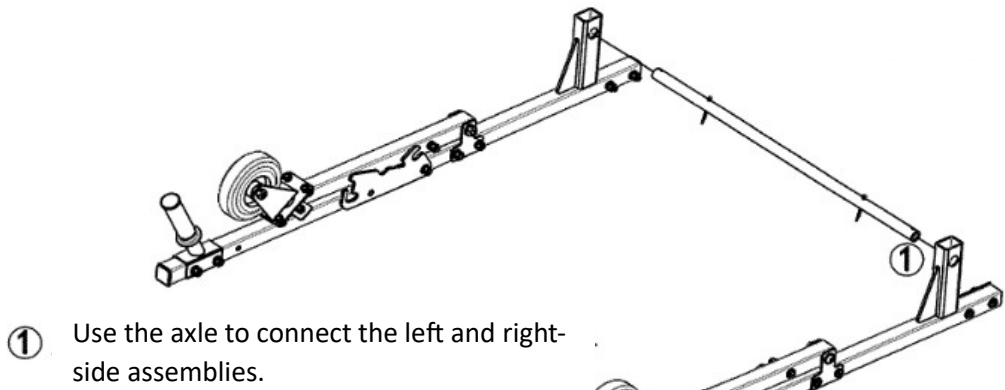
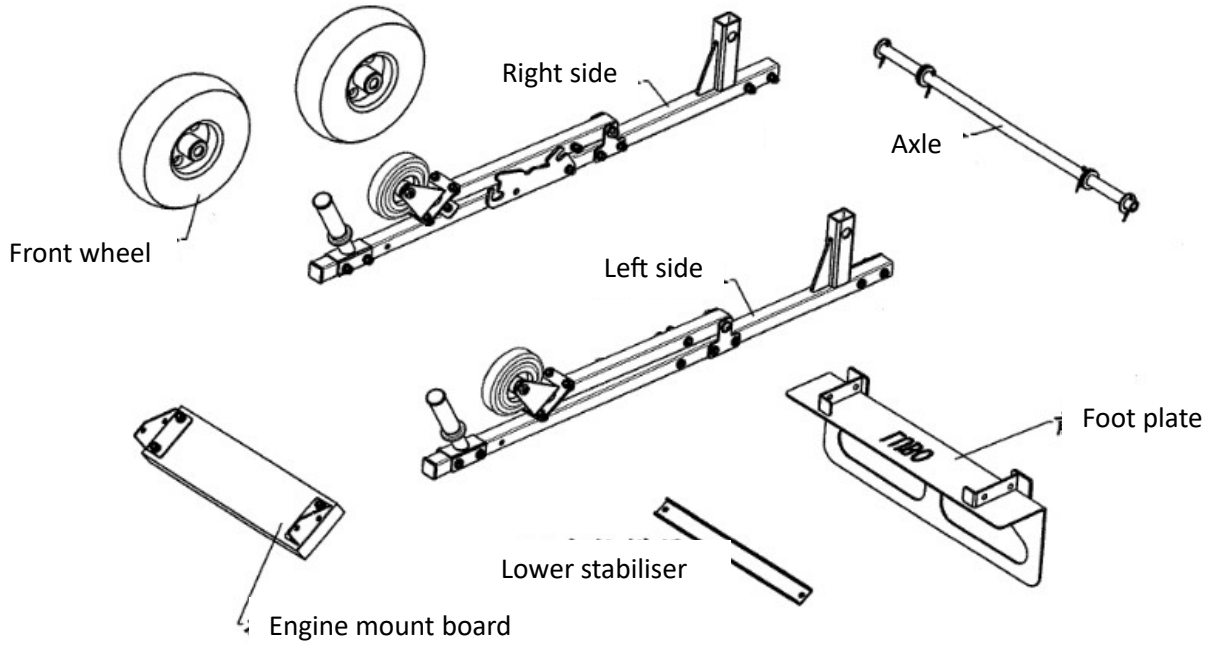
Assembly Instructions

Outboard Motor Trolley – Heavy Duty

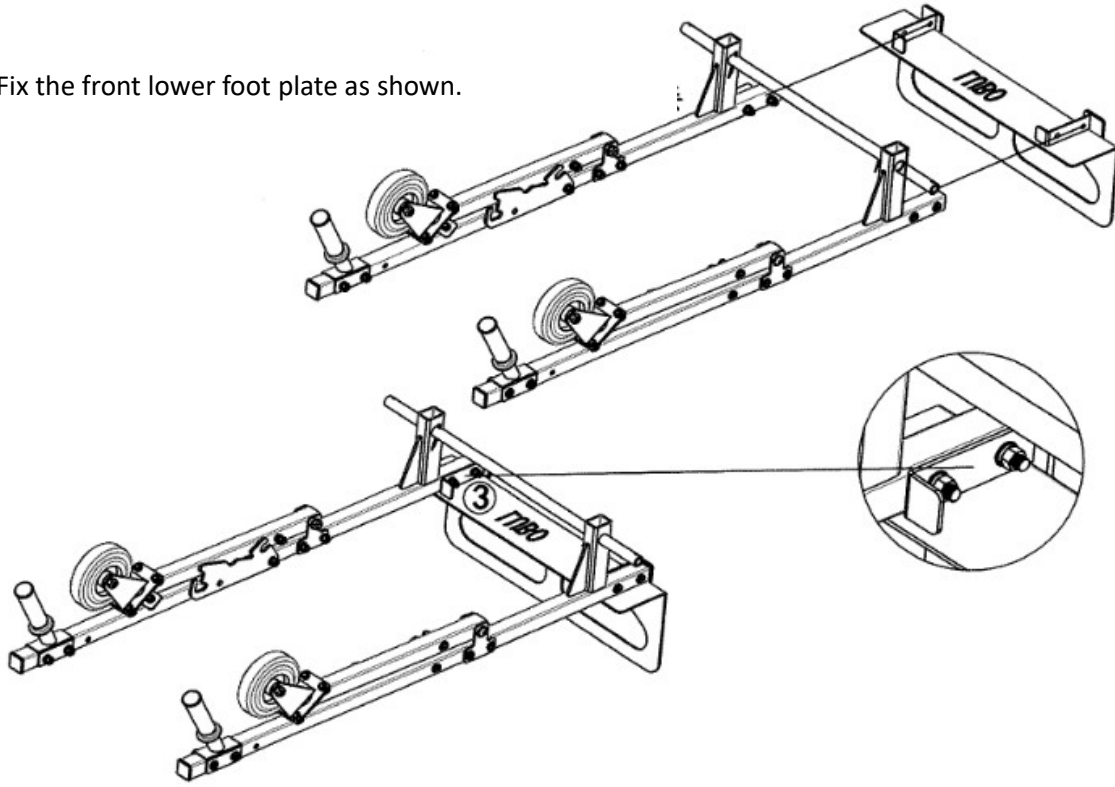


FUNRAY Marine
PO Box 91
Duncraig WA 6023

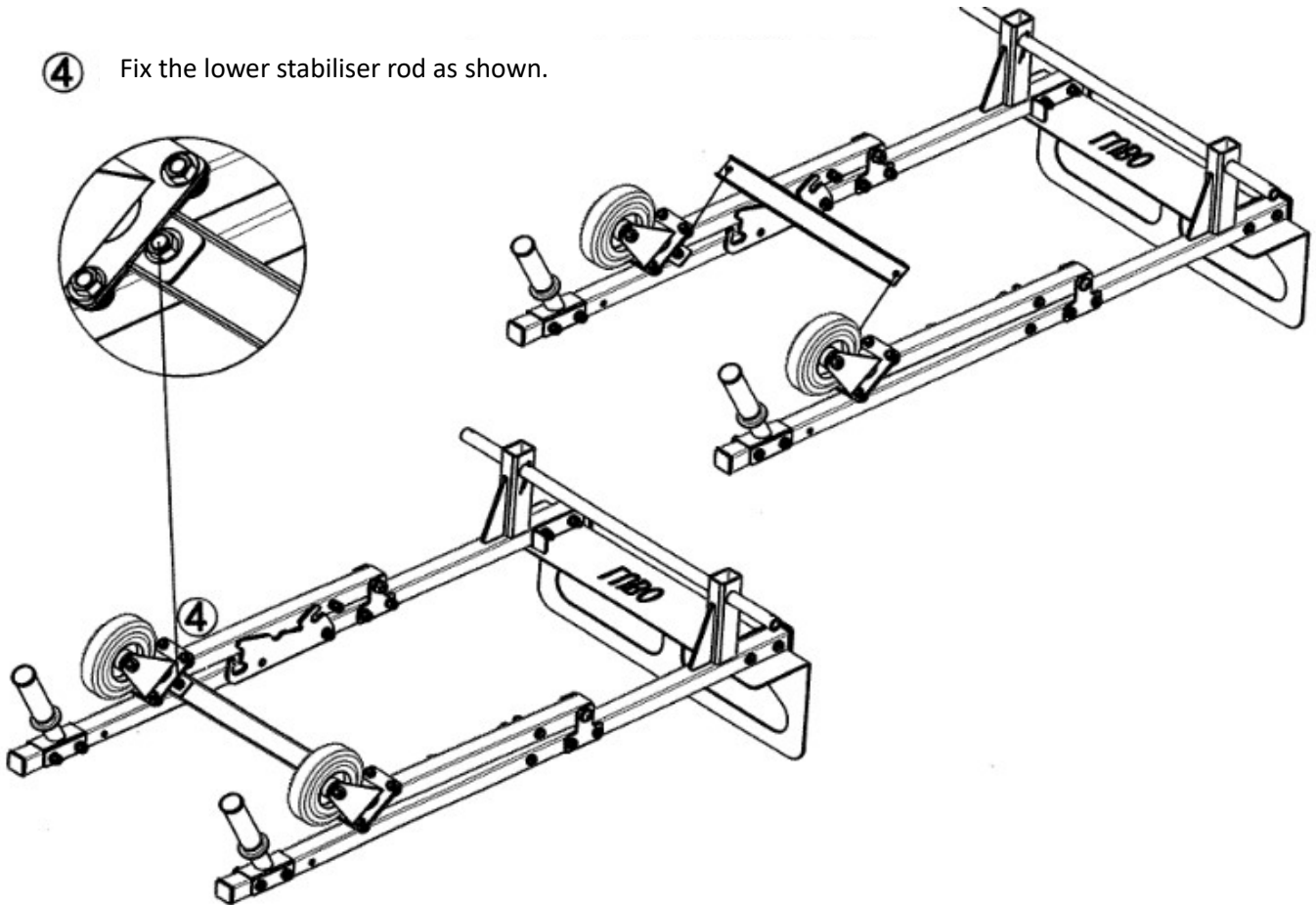
T: 0452235233
E: bruce@funray.com.au
W: <https://www.funray.com.au>



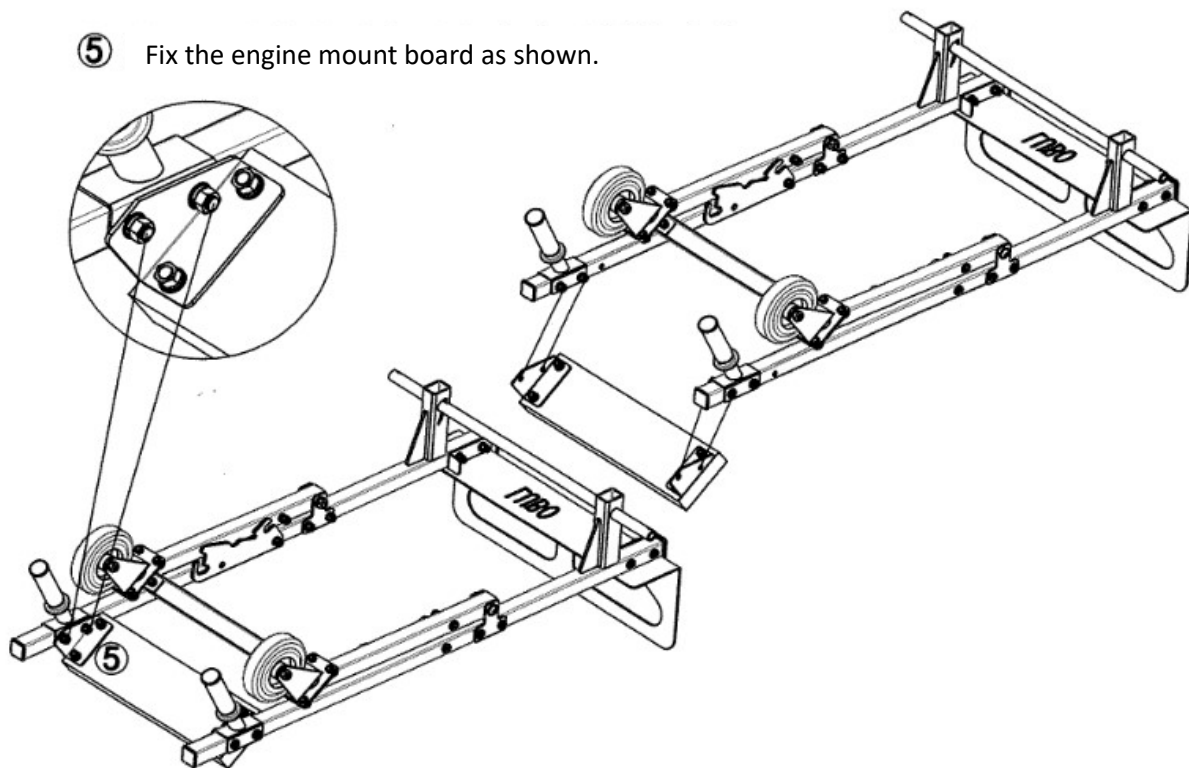
③ Fix the front lower foot plate as shown.



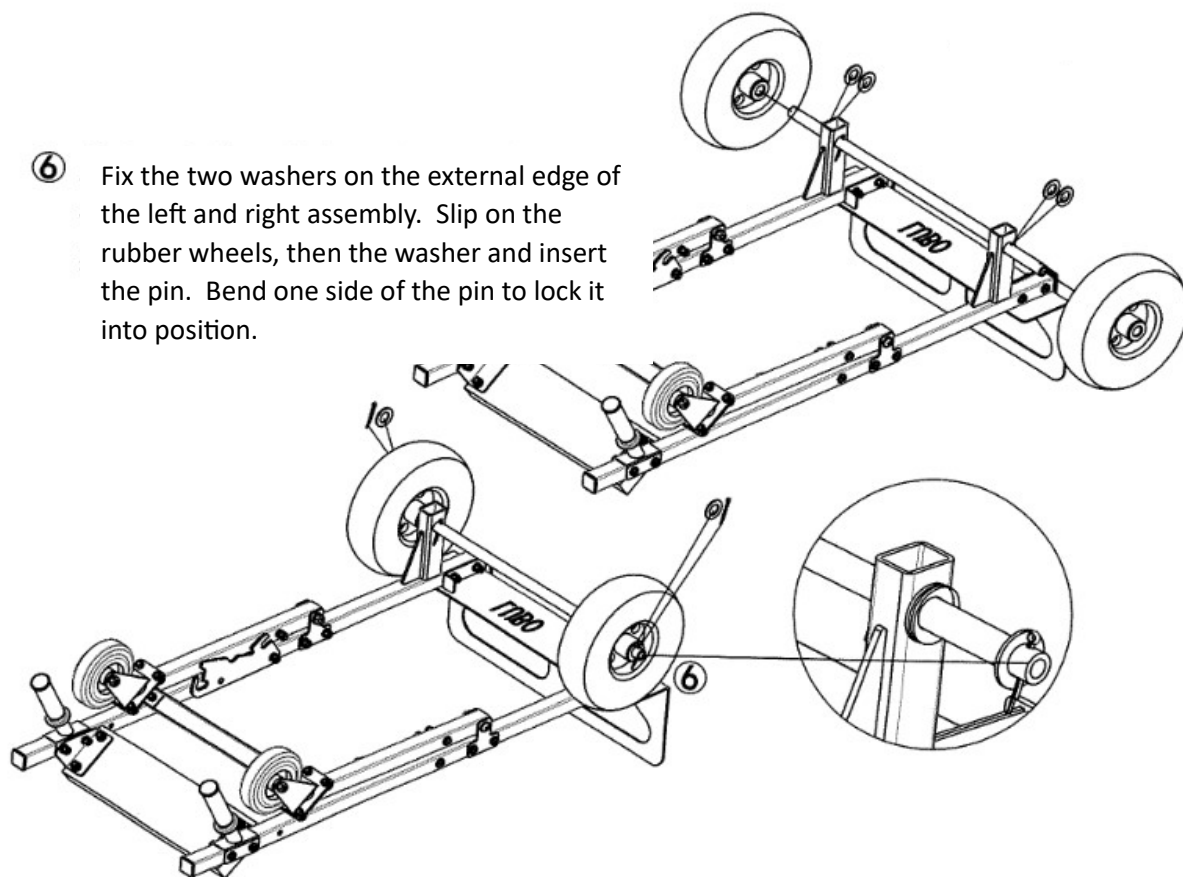
④ Fix the lower stabiliser rod as shown.

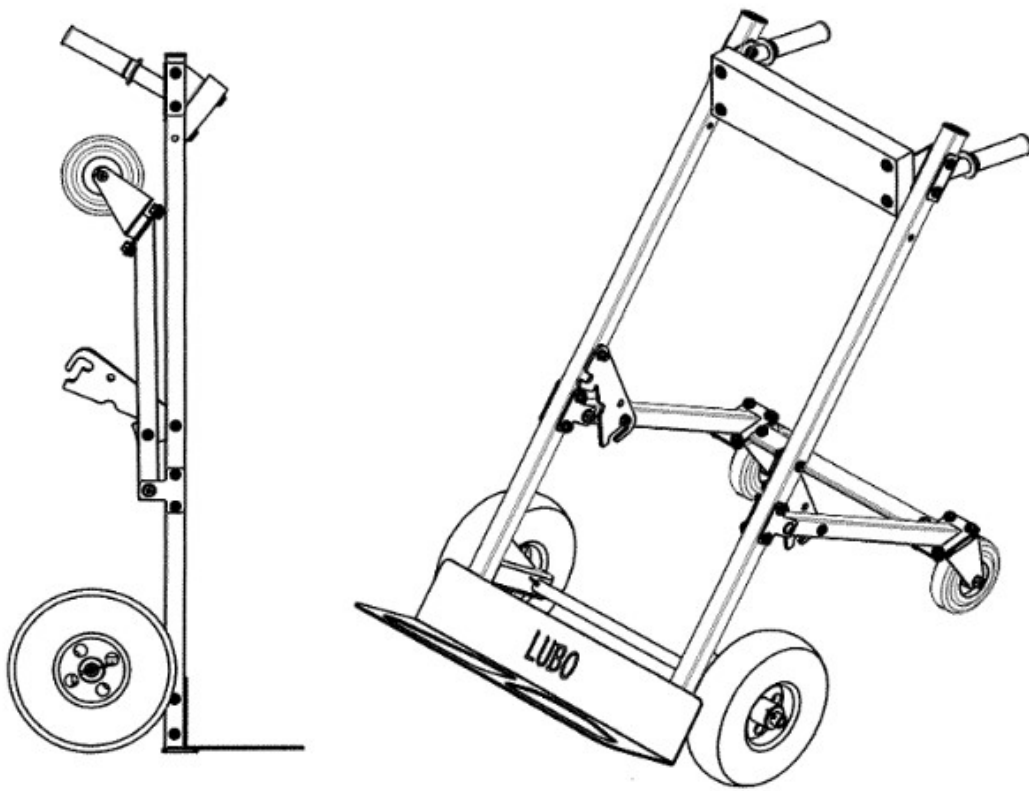


- ⑤ Fix the engine mount board as shown.



- ⑥ Fix the two washers on the external edge of the left and right assembly. Slip on the rubber wheels, then the washer and insert the pin. Bend one side of the pin to lock it into position.





⑦ After assembly, re-check that all bolts, fasteners and pins are tight and secure.